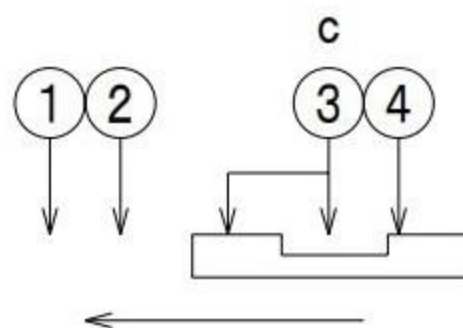
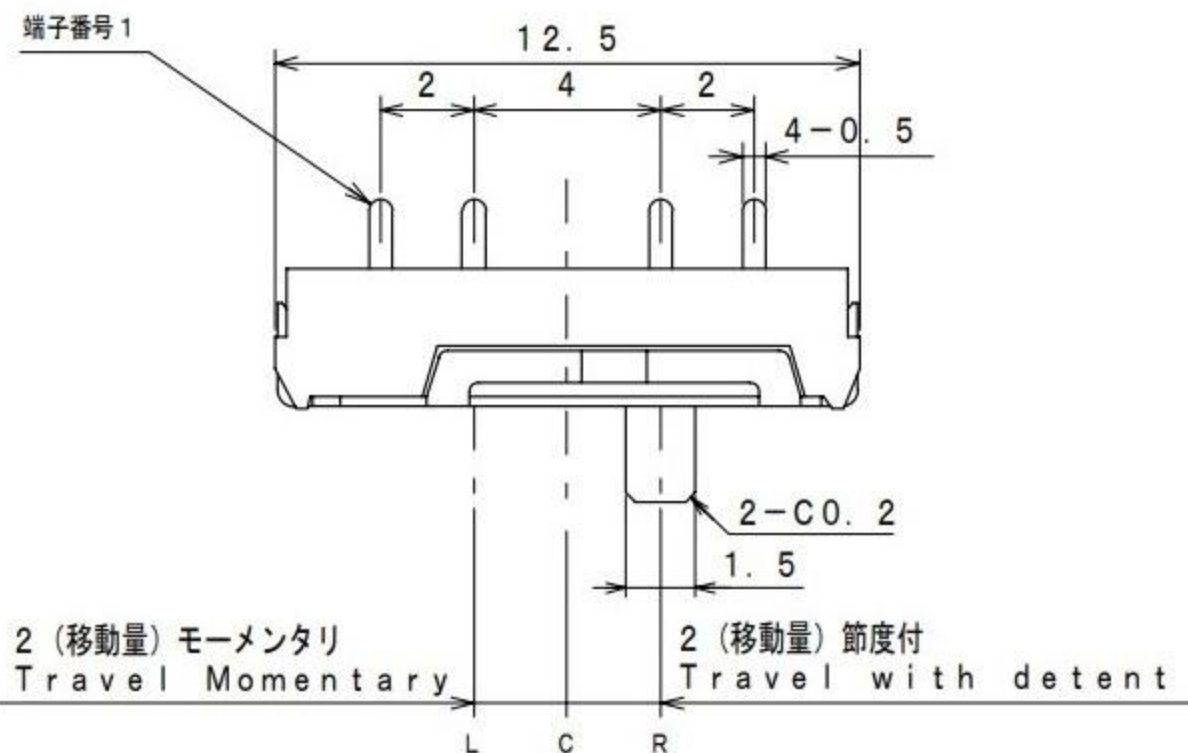
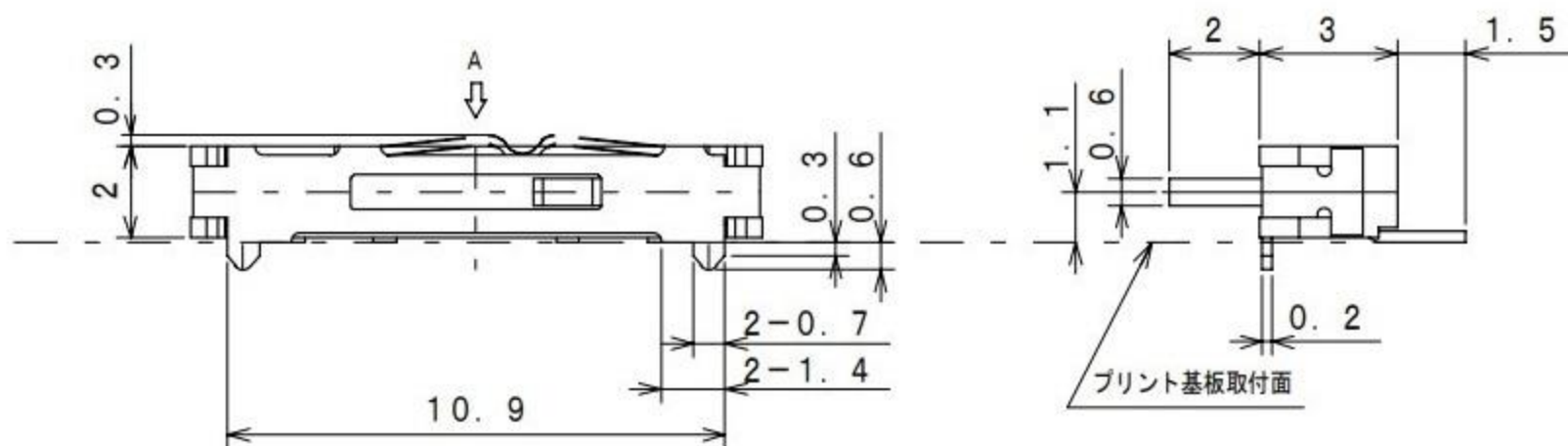


CAD FILE:



作動力:C→R 2.25±1N  
 R→C 1.75±1N  
 C→L 2(+0.5/-1)N



拨动开关技术参数:

1. 额定负荷: DC 30V 50V 0.3A 0.5A
2. 接触阻抗: ≤50mΩ
3. 绝缘阻抗: ≥100mΩ DC500V
4. 耐焊温度: 250±5° 5s
5. 使用寿命: 10,000 cycles
6. 使用温度: -25 °C to 80 °C
7. 使用湿度: ≤85% RH
8. 操作力 : 160gf 256gf 300gf 可定制

NO.	PARTS	MATERIALS	QTY	FINISH	TOLERANCE	ISSUE	DATE	DESCRIPTIONS OF REVISION	APPD
8					UNLESS SPECIFIED				
7	STEEL BALL	STEEL	1	NATURAL					
6	SPRING	STEEL WIRE	1	NATURAL	WITHIN	A	2012-12-25	初板	
5	CONTACT CLIP	PBS STRIP	2	Ag PLATED	OVER				
4	TERMINAL	BRASS STRIP	10	Ag PLATED	TITLE: HORIZONTAL SLIDE SWITCH		UNIT : mm	DRWG NO.:	
3	BASE	PHENOLIC RESIN	1	BLACK	MODEL:		SCALE: 2:1	DWN	2012-12-25
2	FRAME	STEEL STRIP	1	Ni PLATED	东莞市高迪电子有限公司			CHK'D	
1	KNOB	POM	1	BLACK				APPD	